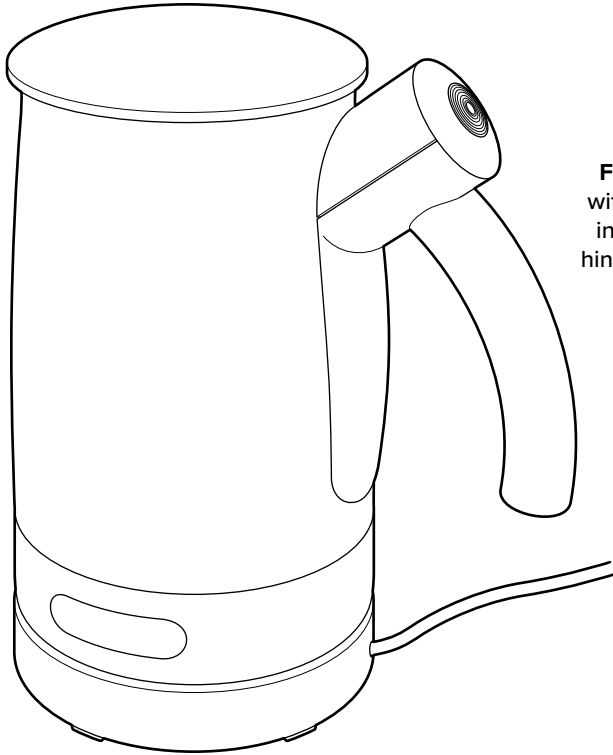


# drew & cole<sup>®</sup>

NUTRITION MADE EASY



**FREE APP**  
with recipes,  
inspiration,  
hints and tips.

## Barista Frothiere

### User Manual

---

Register your product at  
[drewandcole.com/support](https://drewandcole.com/support)  
and visit us for...

FAQs



Videos



Recipes



Support



Join our community..

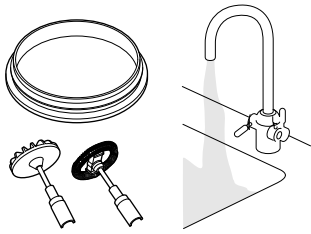


# Quick Start Guide

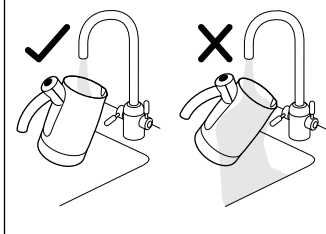
**IMPORTANT:** Please read the Important Safeguards before using your appliance.

**CAUTION:** None of the parts of your Barista Frothiere are dishwasher safe. All parts must be hand washed. NEVER immerse the jug or power base in any liquid.

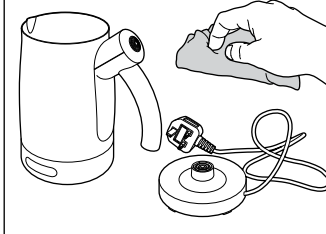
## Preparing



Wash the lid and whisks in hot soapy water then rinse and dry.



Wash the inside of the jug in hot soapy water.  
**IMPORTANT:** Do not immerse in water.

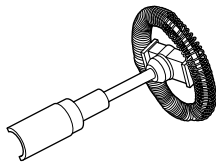


Wipe the outside of the jug and power base with a damp cloth and then dry.

## Whisk types

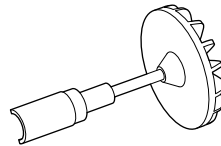
### Frothing whisk

Use to froth hot or cold milk.

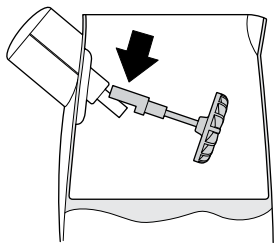


### Smoothing Whisk

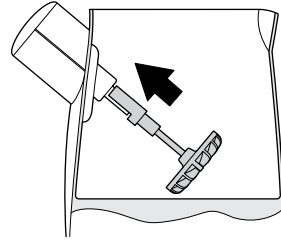
Use to stir drinks for a smoother texture.



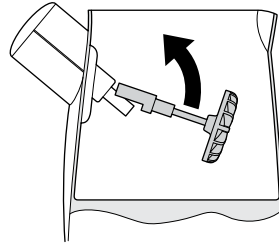
## Fitting the whisk



Slot the end of the whisk onto the whisk shaft and push down until it locks in place.



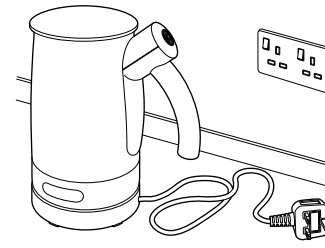
Slide the whisk up the shaft as far as it will go. The whisk is now ready for use.



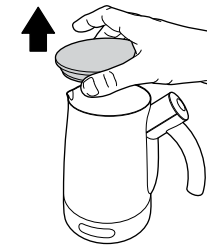
### Removing the whisk

Grip the metal shaft of the whisk and lift upwards to remove.

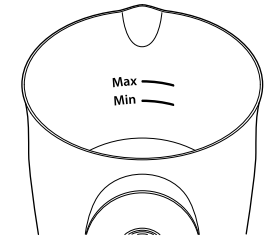
## Using your Barista Frothiere



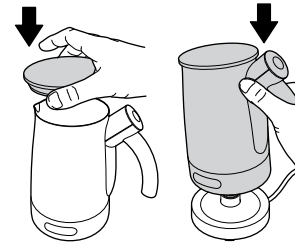
Place your Barista Frothiere on a stable level heat resistant surface.



Remove the jug from the power base and lift the lid off the jug.



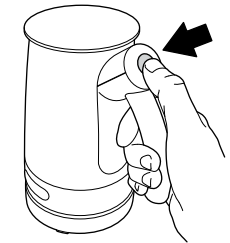
Fill the jug with enough liquid to go above the Min line but not above the Max line (200ml).



Place the lid back onto the jug. Place the jug back onto the power base.



Select the required mode (see below). Check the recipes on pages 15, 16 & 17.



Press the start button to begin the mode. The start button will then turn red.

## Modes



**Cold:** Liquid is not heated.



**Hot froth:** Liquid is heated to 60°C.



**Hot chocolate:** Liquid is heated to 70°C



**Matcha:** Liquid is heated to 80°C



Once the cycle has finished three audible beeps will be heard and the start button will go back to blue. Lift the jug off the power base then remove the lid and pour into a cup immediately.

## Index

### Topic

---

Important safeguards	05
Box contents	08
Parts of your Barista Frothiere	08
Preparing your Barista Frothiere	09
Fitting the whisk	10
Using your Barista Frothiere	11
Cleaning your Barista Frothiere	14
Recipes	15
Technical data	19

## Important Safeguards

When using electrical appliances, basic safety precautions should always be followed including the following:

- **Read all instructions before using this product.**
- When using any electrical appliance, basic safety precautions should always be followed including the following:
  - Check that the voltage of the main circuit corresponds with the rating of the appliance before operating.
  - Please ensure that the appliance is used on a stable, level, and heat resistant surface.
  - DO NOT immerse cords, plugs or any part of the appliance in water or any other liquid.
  - DO NOT leave the appliance unattended while it is operating.
- Close supervision is necessary when any appliance is used by or near children or pets.
- This appliance can be used by children aged from 8 years and above if they have been given supervision or instruction concerning use of the appliance in a safe way and if they understand the hazards involved. Cleaning and user maintenance shall not be made by children unless they are older than 8 and supervised. Keep the appliance and its cord out of the reach of children aged less than 8 years.
- Appliances can be used by persons with reduced physical, sensory or mental capabilities or

## Important Safeguards (cont...)

lack of experience and knowledge if they have been given supervision or instruction concerning use of the appliance in a safe way and understand the hazards involved.

- Children shall not play with the appliance.
- Switch off at the wall socket then remove the plug from the socket when not in use or before cleaning.
- If the supply cord is damaged, it must be replaced by the manufacturer, its service agent or similarly qualified persons in order to avoid a hazard.
- If the supply cord or appliance is damaged, stop using the appliance immediately and seek advice from the manufacturer or its service agent or a similarly qualified person.
- DO NOT let the cord hang over the edge of a table or counter or let it come into contact with any hot surfaces.
- The use of accessory attachments is not recommended by the appliance manufacturer, apart from those supplied with this product.
- DO NOT pull the plug out by the cord as this may damage the plug and/or the cable.
- DO NOT use this product for anything other than its intended use.
- This appliance is for household use only.
- DO NOT carry the appliance by the power cord.

## Important Safeguards (cont...)

- DO NOT use the appliance outdoors.
- Do not install or store the appliance close to sources of heat.
- In the unlikely event the appliance develops a fault, stop using it immediately and seek advice from the Customer Support Team.
- When the appliance is working, hot steam may come out of the appliance. Please, always ensure the lid is correctly fitted.
- DO NOT touch the hot parts of the appliance like the spout as they can cause burns.
- Do not fit or remove the lid while the appliance is operating.
- The heating element surface is subject to residual heat after use.
- **WARNING:** Potential injury from misuse.
- **WARNING:** Avoid spillage on the connector.
- **WARNING:** To prevent overheating, do not run for more than four continuous cycles and always clean after each use.

### Need help? We're here for you.

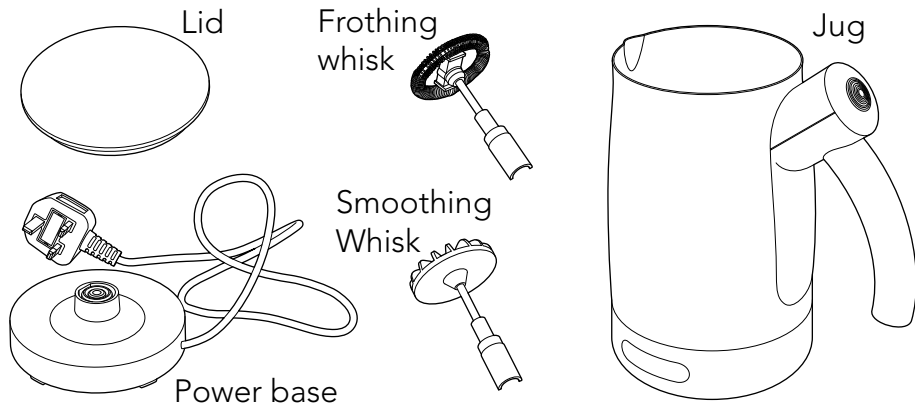
Please contact our Customer Services Team on:

**Phone:** 0344 800 0631 (UK) / 0412 132 998 (Ireland)

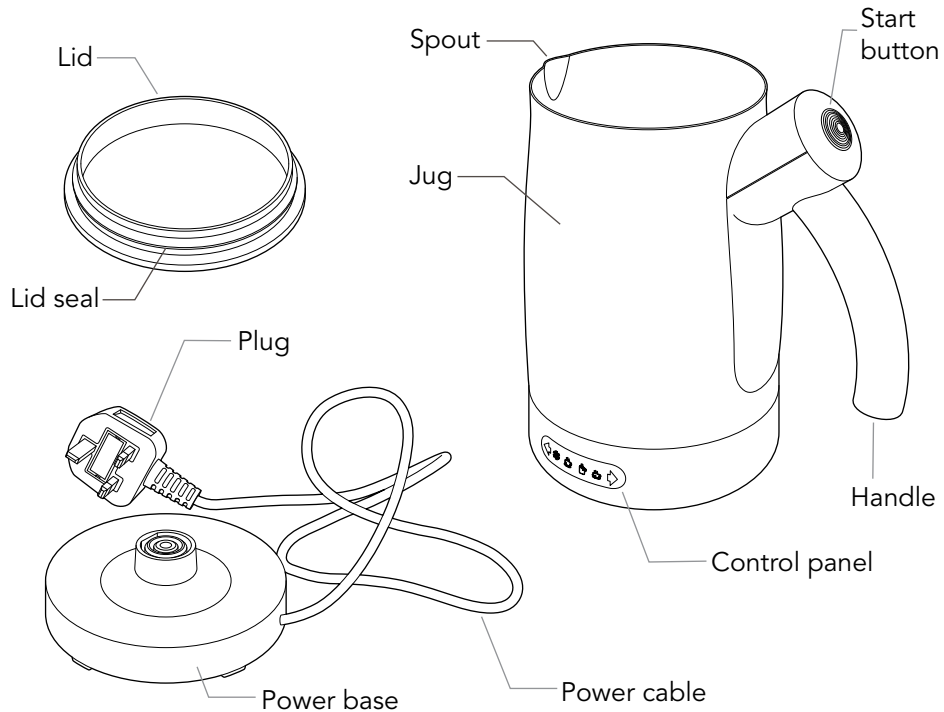
**Email:** [customer-care@drewandcole.com](mailto:customer-care@drewandcole.com)

**Visit:** [drewandcole.com/support](http://drewandcole.com/support) for FAQ's

## Box Contents



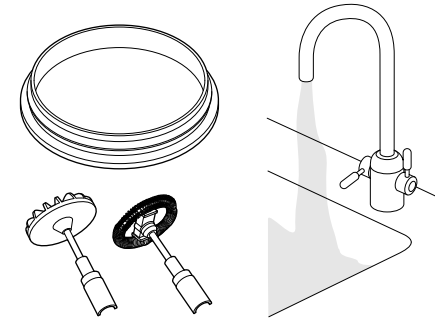
## Parts of Your Barista Frothiere



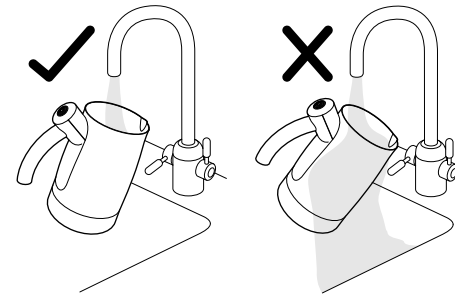
## Preparing Your Barista Frothiere

**IMPORTANT:** Before using your Barista Frothiere, you must ensure all parts of it have been cleaned.

**CAUTION:** Never immerse the jug and power base in water. No parts of your Barista Frothiere are dishwasher safe.

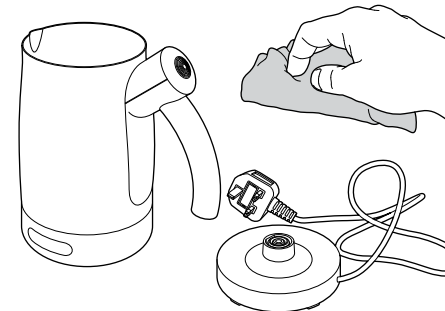


Wash the lid and whisks in hot water and a mild detergent, then rinse under running water and dry with a soft cloth.



Wash the inside of the jug in warm water and a mild detergent, then rinse and dry with a soft cloth.

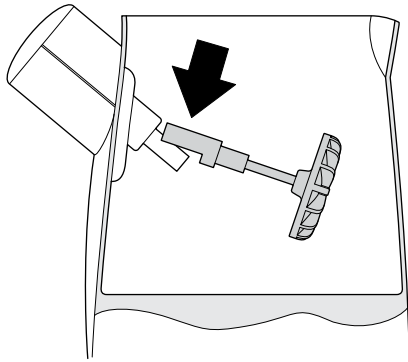
**NEVER** wash the outside of the jug under running water.



Wipe the outside of the jug and the power base with a damp cloth and then dry with a soft cloth.

**IMPORTANT:** Do not clean the outside of the jug or power base with abrasive cleaning agents or chemical cleaners.

## Fitting The Whisks

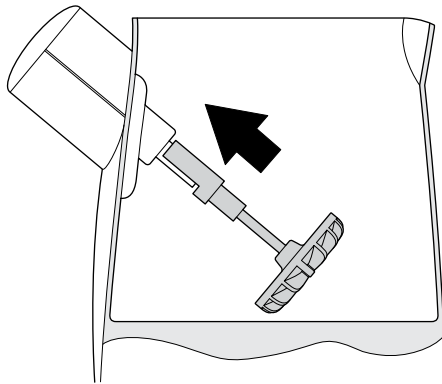


Your Barista Frothiere comes with two different types of whisks.

**Frothing whisk:** This is used to mainly froth hot and cold milk.

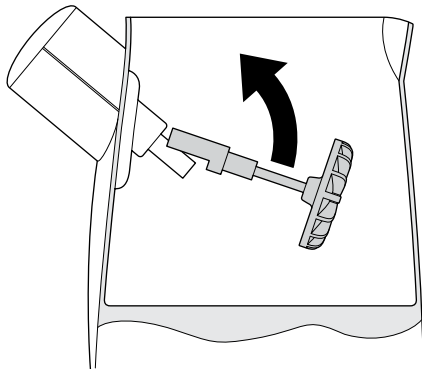
**Smoothing whisk:** This is used to stir drinks for a smooth texture.

Slot the end of the whisk onto the whisk shaft, then push down until it locks fully over the shaft.



Slide the whisk along the whisk shaft as far as it will go.

The whisk is now fitted and ready for use.

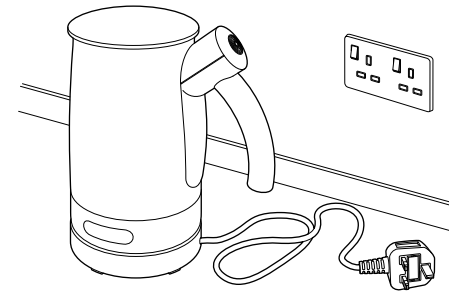


### Removing the whisk

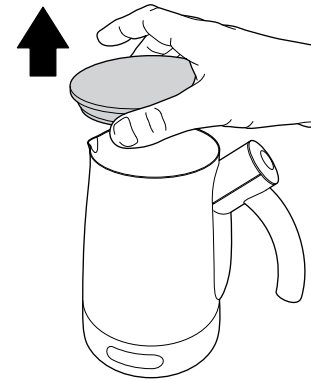
Grip the metal shaft of the whisk and rotate upwards until the whisk comes off.

Always rinse the whisk after use under running hot water.

## Using Your Barista Frothiere

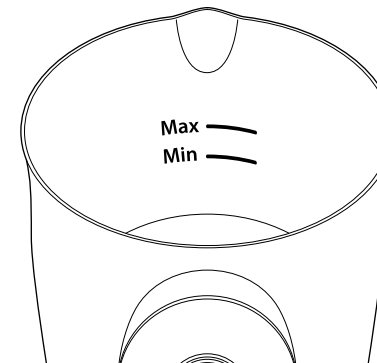


Place your Barista Frothiere on a flat, stable heat resistant surface close to a mains socket that is easy to access when in use.



Lift the jug off the power base and place on the work surface.

Lift the lid off the top of the jug.

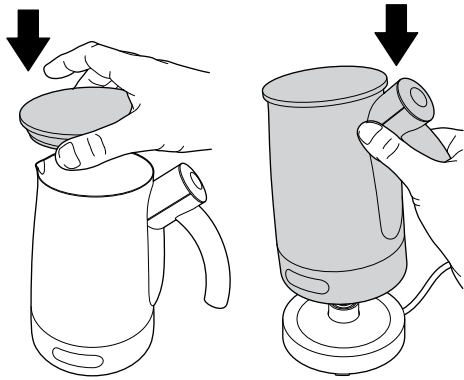


Fill the jug with the required amount of milk or desired liquid and ingredients, see the recipes on pages 15, 16 & 17 for some suggestions.

Ensure the liquid is above the Min (minimum) mark on the inside front of the jug, but **NOT** over the Max (200ml) mark.

**Important:** Never use hot milk in your Barista Frothiere.

## Using Your Barista Frothiere (cont...)



Slot the lid back onto the top of the jug and push down.

Place the jug back onto the power base and slot the plug into the mains socket and turn the power on if required.

**Important:** Never use your Barista Frothiere without the lid being fitted.

### Selecting a Mode

Your Barista Frothiere has four settings that can be chosen by pressing the raised arrows on the ends of the control panel.

Press the arrow on the left to move the selection left or press the right arrow to move the selection right.



### Modes



**Cold:** Liquid is not heated.



**Hot froth:** Liquid heated to 60°C.

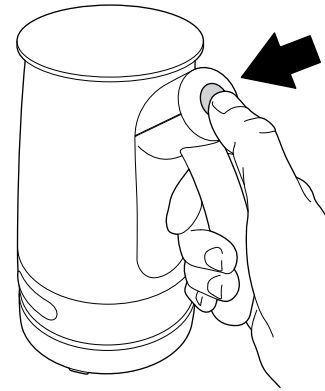


**Hot chocolate:** Liquid heated to 70°C.



**Matcha:** Liquid heated to 80°C.

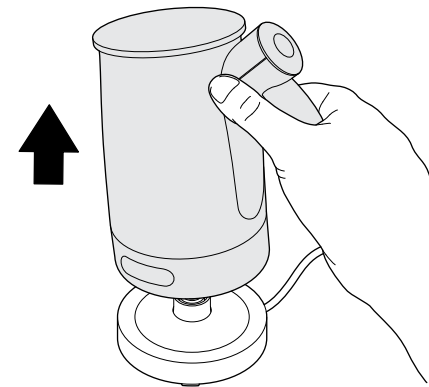
## Using Your Barista Frothiere (cont...)



Ensure the lid is correctly fitted then press the start button on the top of the handle.

Press the start button to begin the mode. The start button will then turn red.

**Important:** You can turn the jug off at any time by pressing the start button again.



Once the cycle has finished three audible beeps will be heard and the start button will go back to blue.

Lift the jug off the power base.

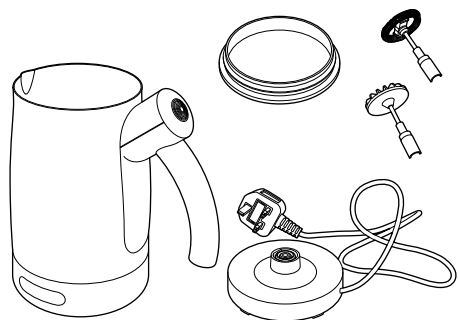


Carefully remove the lid from the top of the jug. If you have used a heating mode, remove the lid using a cloth as the lid will be warm.

For best results pour the contents of the jug into your cup immediately.

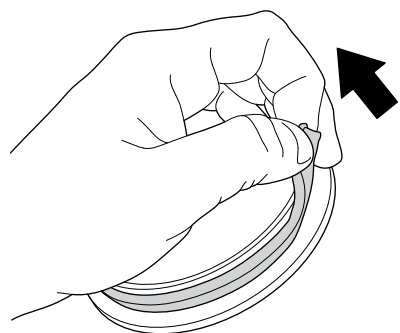
**Important:** Rinse the inside of the jug and the whisk and lid in warm water every time you use your Barista Frothiere.

## Cleaning your Barista Frothiere



Clean all of the components of your Barista Frothiere as shown on page 11.

**Important:** Always clean your Barista Frothiere after you have used it.

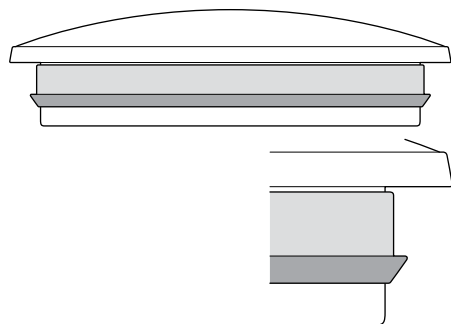


### Cleaning the lid's silicon seal

From time to time you will need to clean behind the silicon seal and the seal on the lid.

To remove the seal, run your fingers along the seal and pinch it to form a raised section.

Slide the seal off the lid.



Wash the lid and seal in hot soapy water and then rinse.

Replace the seal back onto the lid. Ensure the raised section on the seal is at the bottom of the lid when fitted.

## Recipes

### Cold Frappuccino Coffee

- Attach the frothing whisk
- Add 200ml of milk
- Add coffee
- Fit the lid and place on the power base
- Select the cold mode
- Press start

**Optional Toppings:** Whipped cream and chocolate syrup

---

### Cold Smooth Frappé

- Attach the smoothing whisk
- Add 200ml of milk
- Add coffee
- Fit the lid and place on the power base
- Select the cold mode
- Press start

**Optional Toppings:** Whipped cream and chocolate syrup

---

### Hot Cappuccino Coffee

- Attach the frothing whisk
- Add 200ml of milk
- Fit the lid and place on the power base
- Select the hot froth mode
- Press start
- Add frothy milk to your chosen amount of hot coffee

**Optional toppings:** Cocoa powder



## Recipes (cont...)

### Hot Latte

- Attach the smoothing whisk
  - Add 200ml of milk
  - Add coffee
  - Fit the lid and place on the power base
  - Select the hot froth mode
  - Press start
- 

### Frothy Hot Chocolate

- Attach the frothing whisk
- Add 200ml of milk
- Add chocolate shavings
- Fit the lid and place on the power base
- Select the hot chocolate mode
- Press start

**Optional toppings:** Whipped cream, marshmallows and cocoa powder

---

### Silky Smooth Hot Chocolate

- Attach the smoothing whisk
- Add 200ml of milk
- Add chocolate shavings
- Fit the lid and place on the power base
- Select the hot chocolate mode
- Press start

**Optional toppings:** Whipped cream, marshmallows and cocoa powder

## Recipes (cont...)

### Hot Matcha Latte

- Mix green matcha tea with 80°C hot water and whisk by hand in a separate cup
  - Attach the frothing whisk
  - Add 200ml of milk
  - Fit the lid and place on the power base
  - Select the hot froth mode
  - Press start
  - Add the hot matcha green tea to the frothed milk
- 

### Hot Matcha Tea

- Attach the frothing whisk
- Add 200ml of cold water
- Add green matcha powder
- Fit the lid and place on the power base
- Select the matcha mode
- Press start

## Your Recipes

## Technical data

Rated voltage	220~240 V
Hertz	50Hz
Power	500W
Liquid capacity	Min 150ml – Max 200ml

The product and its packaging have been manufactured from valuable materials that can be recycled. Recycling reduces the amount of refuse and helps to preserve the environment.

Dispose of the packaging at a recycling point that sorts materials by type. Make use of the local facilities provided for collecting paper, cardboard and light weight packaging.



Appliances marked with this symbol must not be disposed of along with normal household waste!

You are legally obliged to dispose of old appliances separately from household waste.

Information about collection points where old appliances can be disposed of free of charge is available from your local authorities.

# drew & cole<sup>®</sup>

NUTRITION MADE EASY



**FREE DREW & COLE APP**  
with 100s of recipes,  
inspiration, hints and tips.



---

Register your product at  
**[drewandcole.com/support](https://drewandcole.com/support)**  
and visit us for...

FAQs Videos Recipes Support



---

Join our community...



Search: 'Drew&ColeUK' to keep up to date with all  
the latest news, recipes and inspiration.

Distributed by:  
High Street TV, PO Box 7903,  
Corby, NN17 9HY

Model number: BA002R  
V3-04/21

Please recycle our product and  
packaging where facilities exist.  
Check with your Local Authority  
or retailer for recycling in your  
country.

